

CABLE ASSEMBLY



Cable assembly: delivered by the connector producer – one-stop connector technology.

For applications that are all about high currents, EMC, high temperatures and tightness, providing a high-quality connector – and leaving the termination technology and assembly to the customer – is simply not enough.

10 FROM A SINGLE SOURCE – THE SYSTEMS APPROACH

As described in the previous chapters, the termination and cable can have a decisive impact on the overall system. Therefore, a perfect connector system offers a perfect interplay of the contact, termination technology and cable assembly. To ensure this, we offer our customers complete solutions in which potential factors impacting the system's properties have been carefully assessed. FEM simulations also ensure the specified functionality of the product early on in the process.

AMAZING VARIETY PRECISION-FIT, CUSTOMIZED CABLE ASSEMBLY

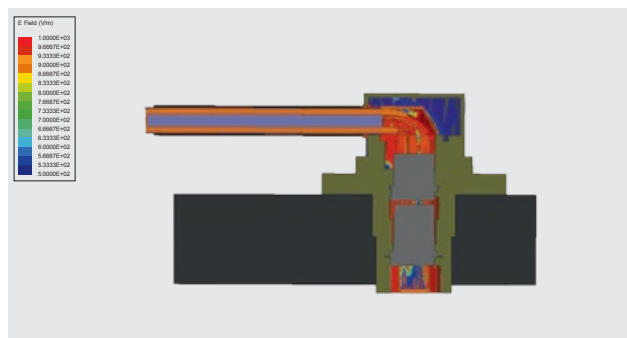
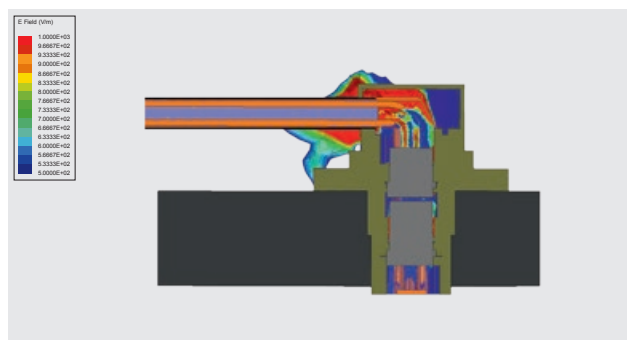
Our flexible production enables us to carry out cable assembly under economically viable conditions both for small batch sizes as well as for large-scale serial production. This ranges from AWG 36 strands with a single connector diameter of 0.127 mm to the processing of AWG 2/0 strands with a single connector diameter of 10.5 mm, and from IPC soldering for military applications to high-temperature-resistant crimping in the automotive sector. We can also produce head shrink parts and tight silicone overmolding for medical technology applications.

We know what it takes to turn a high-quality connector into an equally high-quality and reliable connector system.

Flexible and expertly – with a regional presence

Our cutting-edge production facilities in Europe, China and the US enable ODU to make local deliveries to our worldwide customers or in combination with logistics services – so we can guarantee the shortest of delivery times. Our sites, processes and assembly

facilities are always state of the art and deliver first-class service and quality. At ODU, standard procedure means 100 percent testing of each and every assembly.



Layout of a cable assembly exemplified here in terms of electromagnetic capability and supported with FEM simulations.



Service range:

From connector solutions for use in submarines to miniature versions, strands can be processed in a range of dimension from 0.015 mm² to 70 mm². The type diversity is just as extensive. ODU cable assemblies meet the highest production and quality standards for every application.